

Window and Door Technology



Roto Patio Alversa

Universal hardware for minimum effort
in Parallel Sliding and Tilt&Slide systems

Brochure



Roto Patio Alversa

Universal hardware for minimum effort in Parallel Sliding and Tilt&Slide systems

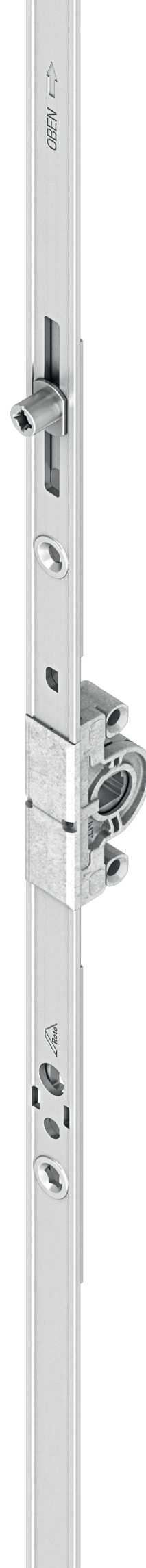
Sliding windows and doors let light into living areas and are an ideal way to connect indoor and outdoor spaces. In comparison to Turn-Only sashes, which protrude into a room, sliding doors can be opened in a more convenient manner that saves space.

The Parallel Sliding and Tilt&Slide system is available for frame materials timber, PVC and aluminium.

All components are developed and produced at Roto sites. This is Roto's way of guaranteeing the high quality and delivery reliability that characterise the brand.

Minimal. Universal.

Minimal outlay required in manufacturing, storage and logistics with universal use – these are the ideas behind Roto Patio Alversa, the universal hardware for Parallel Sliding and Tilt&Slide windows.



Minimal. Universal.

Universal use

Roto Patio Alversa meets individual customer requirements as a result of its modular design. Just one system provides four different solutions, as Roto Patio Alversa can be designed as a Parallel Sliding system or a Tilt&Slide system. Night or tilt ventilation can be selected, depending on the variant.

One of a kind on the market

The combination of Parallel Sliding system and tilt ventilation.



Roto Patio Alversa | KS

Tilt&Slide system with tilt ventilation



Roto Patio Alversa | PS

Parallel Sliding system without / with night ventilation



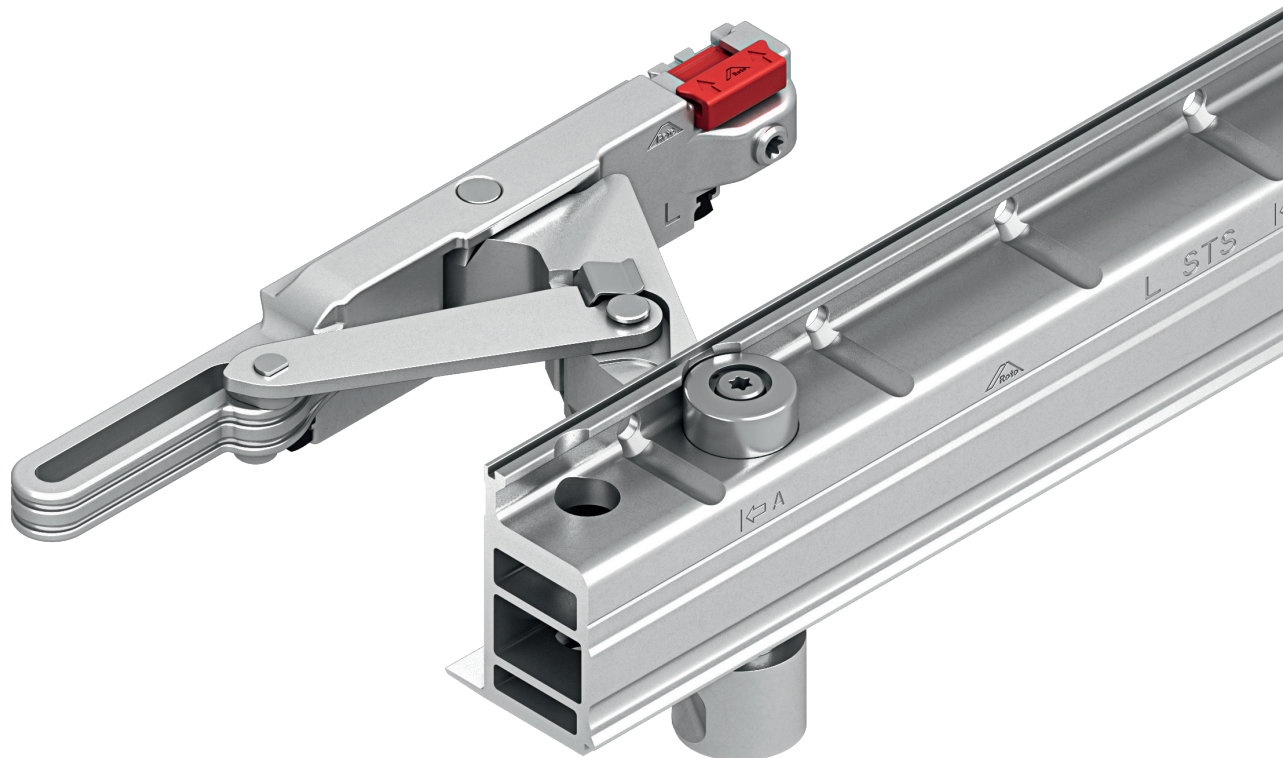
Roto Patio Alversa | PS Air

Parallel Sliding system with tilt ventilation



Roto Patio Alversa | PS Air Com

Parallel Sliding system with comfortable tilt ventilation





Minimal. Universal.

Roto Patio Alversa reduces the outlay required in manufacturing, storage and logistics to a minimum. This is ensured by the ideal combination of universal central locking system, universal handle and modular sliding system.

Minimal storage and logistics outlay

The same central locking system from the established Roto NT and Roto AL ranges is used for all Roto Patio Alversa variants. Furthermore, the same handle can be used for all variants.

Intelligently combining components from the extensive Roto NT and Roto AL range with specific Roto Patio components, such as a bogie, scissors-slider or track set ensures that a high proportion of common parts can be used across all variants. This reduces the outlay required in storage and logistics.

Minimal. Universal.

Minimal manufacturing outlay

Compatible assemblies and standardised work steps simplify assembly across all product variants. The flexible replacement of individual components makes it possible to switch rapidly between the Parallel Sliding and Tilt&Slide systems in manufacturing, including the various ventilation functions. This minimises the production costs.

Minimal administrative outlay

Less administrative outlay is required, as the reduced variety of parts simplifies the process of creating and managing master data.





Roto Patio Alversa Advantages for end-users

High operating convenience

The innovative opening and closing mechanism enables smooth, quiet operation. Special damping elements ensure optimised sash run-in and run-out characteristics. All Parallel Sliding variants can also be operated intuitively, in the same way as conventional Tilt&Turn windows.

The Roto Patio Alversa | PS Air Com Parallel Sliding system offers particular operating convenience: Turning the handle tilts the sash automatically; there is no need to manually pull firmly against the sash. This enables even large and heavy sliding doors weighing up to 200 kg to be operated effortlessly.

Standardised appearance

Using standard window handles such as Roto Line and Roto Swing provides a standardised appearance for sliding systems and Tilt&Turn windows in living areas.

A safe and secure home

Balcony and terrace doors are some of the weak points most frequently exploited by burglars. Roto Quadro Safe security components such as security mushroom-cams, security strikers and lockable handles allow burglary protection to be adapted to meet individual security requirements.

The Roto Patio Alversa | PS Parallel Sliding system can be provided with optional night ventilation that cannot be seen from outside. This means that, when viewed from outside, the sliding system looks as if it is closed. Any windows that are open for night ventilation are also protected against burglars due to the additional use of security strikers.





Roto Frank AG
Window and Door Technology

Wilhelm-Frank-Platz 1
70771 Leinfelden-Echterdingen
Germany

Phone +49 711 7598 0
Fax +49 711 7598 253
info@roto-frank.com

www.roto-frank.com



Last changed: September 2016. Subject to change. BRO_220_EN_v0
© 2016 Roto Frank AG. Roto is a registered trademark.

From a single source: Optimum hardware systems to meet all challenges:

- Roto Tilt&Turn** | The Tilt&Turn hardware system for windows and balcony doors
- Roto Sliding** | Hardware systems for large sliding windows and doors
- Roto Door** | Matching hardware technology "everything about doors"
- Roto Equipment** | Additional technology for windows and doors